

M41/M4CPR-FR

4" Square Fire Rated Concave Recessed LED 5CCT 9W



DESCRIPTION

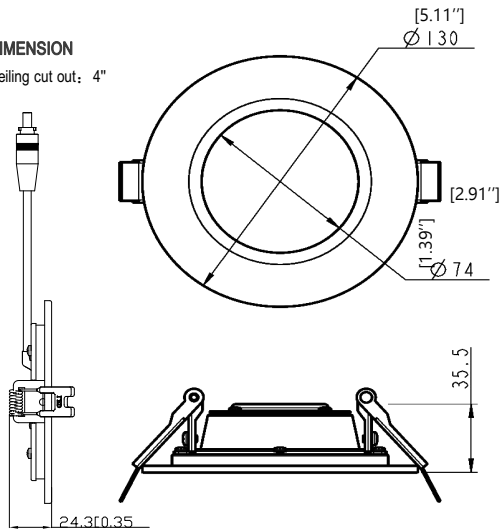
The M4CPR-FR Fire Rated series passed fire rated in UL 263 tested comes with a Certified 2-Hour Fire Rating back plate which provides a reinforced and heat resistant casing for up to 2 hours of protection. This unique design and technology has been patented and offers an affordable solution in applications and available in 24V POE (Power over the Internet)

FEATURES & BENEFITS

- 2 Hour Fire Rated** Without additional housing or hardware
- Installation Dimension** Available in all standard 4" round openings
- Heat Resistant Casing** Provides up to 2 hours fire protection
- Heavy Duty Steel Spring** Clips for easy installation
- Plenum Rated Cable** For commercial installations
- Connection Box** Comes with Junction Box & Driver, No Housing Required.
- 1/2" Thin** Install Directly Under Joists, Maximum Layout Flexibility
- CRI 80+, 90+** True color rendering
- CCT 5CCT** range changeable, 2700K, 3000K, 3500K, 4000K, 5000K

DIMENSION

Ceiling cut out: 4"



Catalog		Type
Project		Date
Prepared		

SPECIFICATION	
Applications	Multi-Family Residential & Commercial
Energy Used	9 W
Color Temperature (K)	2700K - 3000K - 3500K - 4000K - 5000K-6000K, 3CCT, 5CCT, Warm Dim, Tunable White
Light Output (lm)	900lm
Halogen Equivalent	56 W
Beam Angle	120°
CRI	90+
Driver Input	120V or 277V AC 50/60 Hz or (24V POE Scheme)
Dimming	TRIAC Dimmers 10% - 100%
Approved Location	Insulated Ceiling & Damp Locations
Cable	FT6 / CMP Plenum Rated
Air Tight	Yes
Finish	White,Black,Satin Nickel
Ambient Temperature	-4°F (-20°C) to +104°F (+40°C)
Projected Life	70% Light Output at 50,000 Hours
Certification	cETLus, ENERGY STAR
Fire Rating	UL 263-2011(R2022), STM E119-20 & CAN/ULC-S101-14
Warranty	5 Year

LIGHT UNIT:	Trim with powder paint coat preventing discoloring and rusting. Available in several finishes in a variety painted trim options, and available in different colors finishes.
JUNCTION BOX:	The box includes a Commercial Grade Driver designed for 24-hour usage. It is with knockouts located at each end. Wiring compartment allows for (6) 14 gauge (AWG) insulated conductors. Connection to one (1) downstream unit is permitted within the junction box compartment.
INSTALLATION:	LED quickly connector for shallow ceiling installations with no housing required. Installed with Heavy-Duty Commercial Grade Steel spring clip, to withstand excessive heat. The clips allow for easy installation.
WIRING:	Plenum rated cable used to connect light unit and junction box.
OPTICS:	DIRECT or EDGE-lit LED technology uses light guided plate to distribute light. A polycarbonate lens is used to provide even illumination throughout the installation. The regressed design offers an anti-glare feature.
ELECTRICAL:	Easily connected to a 120V power supply via provided UL recognized driver. Dimming down to 10% with most standard LED dimmers (see list of approved dimmers). Ambient operating temperature: -40°C (-40°F) to +40°C (+104°F).
CERTIFICATIONS:	This product is ETL listed in USA & Canada. It has been tested for a 2-HOUR FIRE RATING and complies with ASTM E283/283M-19, UL 263 and certified to UL standard 1598 and CSA standard C22.2#250.0:2021. The M4CPR-FR Fire rated series meets the 2-hour rating with most floor-ceiling assemblies including following: UL L505, L511, L536, L538, L541, L556, L577, M500, M510, M521 and M543. Energy star testings passed and complies with V2.2 SSL.

Housing	Module / Trim / Driver	Watts	CRI	CCT Color Adjustable	Voltage	Finish
M41 (4" Open Housing w/ Hanger Bars)	M4CPR-FR (4" LED Fire Rated Flat Panel)	- 9W	-8 : 80 -9 : 90	27 2700K 30 3000K 35 3500K 40 4000K 50 5000K	-Blank 120V -27 277V -POE 24V POE (Power Over The Internet)	-WH : White -BK : Black -BN : Brushed Nickel (Consult w/factory for custom finish)